

CLEARO2 

 **HI-VAC UNITS**

EXTRACTION

NO FUMES, ONLY CLEAN AIR





GIANT PORTABLE INTEGRATED FUME EXTRACTION

ONE & TWO WELDERS



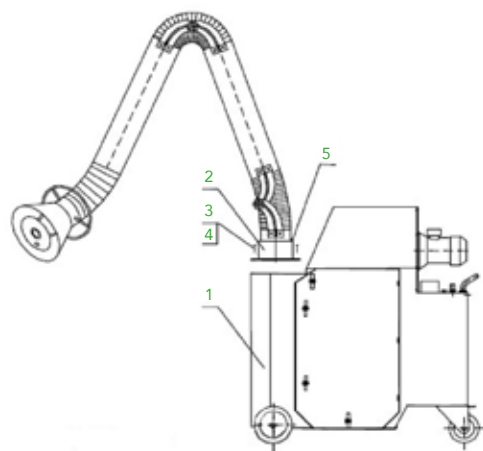
CLEAR2 UNITS



GIANT PORTABLE FUME EXTRACTOR

Translas's portable fume extractor "Giant" is designed to capture and filter dry impurities created during welding, grinding and the cutting of metals.

- Meets OSHA air quality standards and increases health and safety standards by minimizing hazards that cause respiratory ailments
- Available with two arm options: 1 x 8-inch arm or 2 x 6-inch arms. Self supporting joints and flexible hoses for easy placement with smooth bore tubing for unimpeded air movement.
- 1200 CFM at hood for powerful performance.
- Excellent three-stage filtration: aluminum mesh pre-filter, second polyester cartridge filters and final carbon after filter. Manual pulse jet cleaning comes standard and optional HEPA upgrade available.
- Unit reduces facility maintenance costs by eliminating smoke and dust before particles to settle on equipment and work surfaces



Optional Dual Arm

Dimensions	(L x W x H) 48" x 37" x 51" (without/with wheels)
Voltage	3 Phase 60Hz*
Power	208-240, 460 & 575 volts
Current Draw	11 amps
Airflow	1200 cfm
Weight	430 lbs.
Sound Level @ 10'	85 dB(A)
Filter Area	452 ft
Filter Efficiency	99.93% @ 3 microns
HEPA (optional)	99.97% @ 0.3 microns



ROLLOUT PORTABLE INTEGRATED FUME EXTRACTION

ONE WELDERS



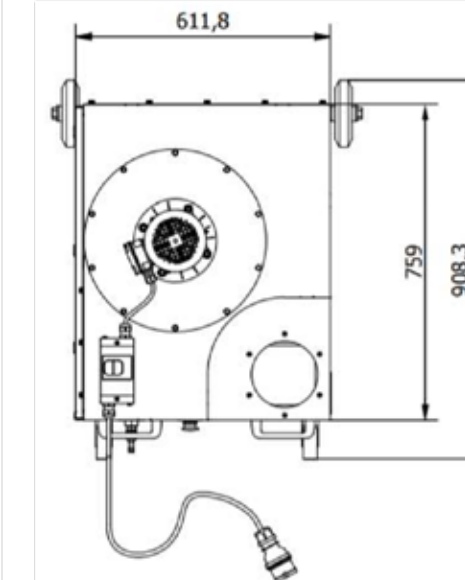
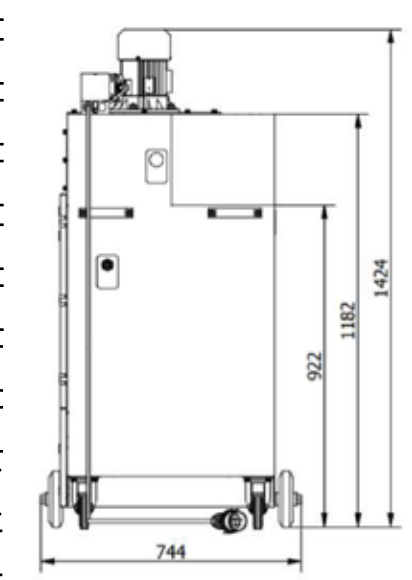
CLEAR2 UNITS



ROLLOUT PORTABLE FUME EXTRACTOR

Translas's Rollout portable fume extractor is designed to capture and filter dry impurities created during welding, grinding and the cutting of metals.

- Meets OSHA air quality standards and increases health and safety standards by minimizing hazards that cause respiratory ailments.
- Standard arm measures 6" in diameter and fully extends to 10-feet. Other sizes also available on request.
- 700 CFM at hood for powerful performance.
- Excellent three-stage filtration: aluminum mesh pre-filter, second polyester cartridge filters and final carbon after filter. Manual pulse jet cleaning comes standard and optional HEPA upgrade available.
- Unit reduces facility maintenance costs by eliminating smoke and dust before particles to settle on equipment and work surfaces.



Dimensions	(L x W x H) 48" x 37" x 51" (without/with wheels)
Voltage	3 Phase 60Hz*
Power	208-240, 460 & 575 volts
Current Draw	11 amps
Airflow	1200 cfm
Weight	430 lbs.
Sound Level @ 10'	85 dB(A)
Filter Area	452 ft
Filter Efficiency	99.93% @ 3 microns
HEPA (optional)	99.97% @ 0.3 microns

▶ BY WELDERS. FOR WELDERS



+1 888-383-9080



Unit 5, 1099 Commerce Way
Woodstock, ON
N4V 0A2 Canada



info-CA@translas.com

www.translas.com

EUROPE

UNITED KINGDOM

NORTH AMERICA